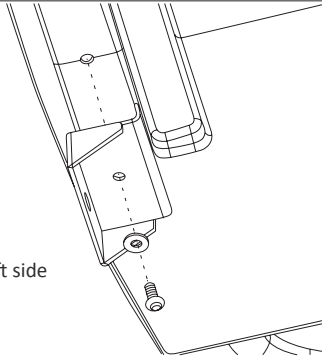


zView Assembly Instructions for zSpace 300

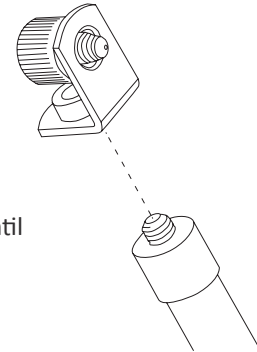
1

Align bracket to M4 threaded hole. Insert and tighten the washer and button head cap screw with provided hex key.

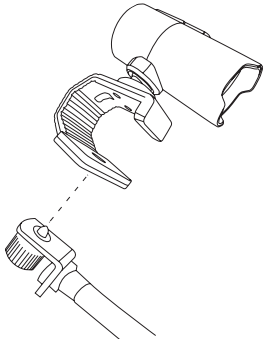
*Instructions are for assembling on left side (referencing facing the display). Please mirror for right side assembly.


2

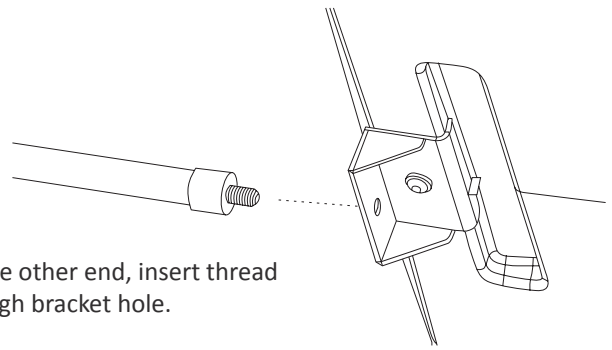
Thread L bracket onto shorter threaded end until flush with the bottom.


3

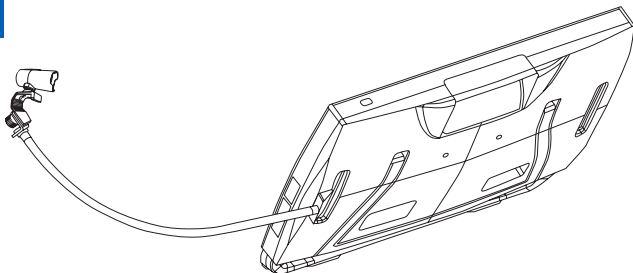
Thread 1/4"-20 captive screw onto webcam until it bottoms out on the camera.


4

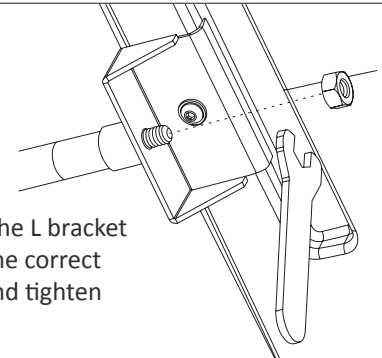
On the other end, insert thread through bracket hole.


5

Bend flexible hosing to position that will allow webcam to have clear view of user's hand and screen.


6

Then, orient the hose so the L bracket will hold the webcam in the correct position. Thread on nut and tighten with provided wrench.


7

Disclaimer: If you continue to readjust the bend and viewing position of the camera, threaded joint may loosen. Straighten the flexible tubing and retighten the hose's threads onto the bracket before rebending/positioning.

Connect the webcam's USB cable into the display monitor's port. For access to necessary zView Software, please go to zspace.com/login and register for a zSpace account. Upon completion of registration, please send your username to orders@zspace.com to authorize that account for access to zView.